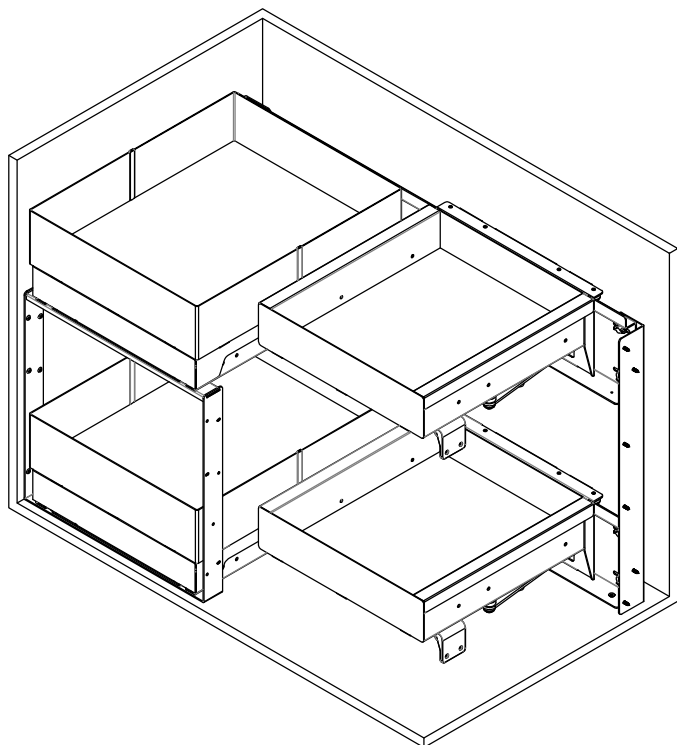
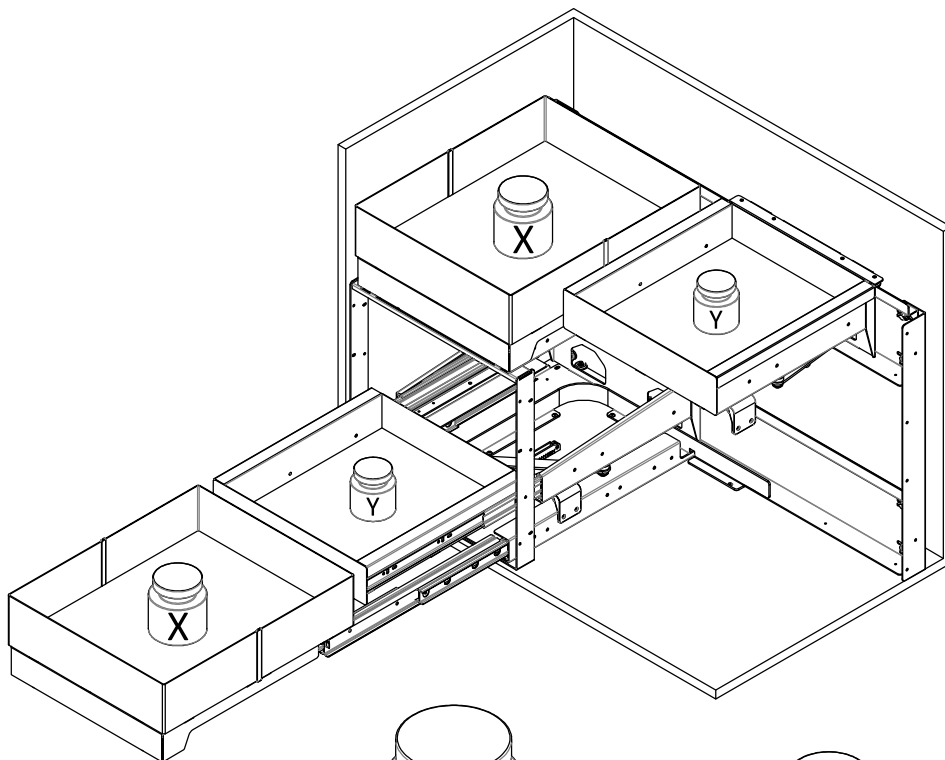
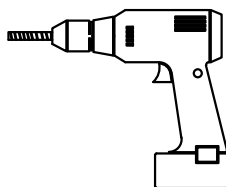
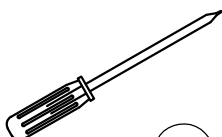
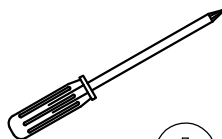
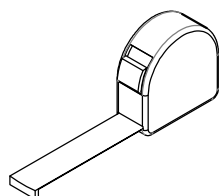


CORNER STORAGE CMove User Manual

Instruction for the Frame : Part A---P2 P3
Instruction for the Baskets: Part B---P5 P6



Left Opening for Example
(Left and Right Universal Fitting)



Max.15

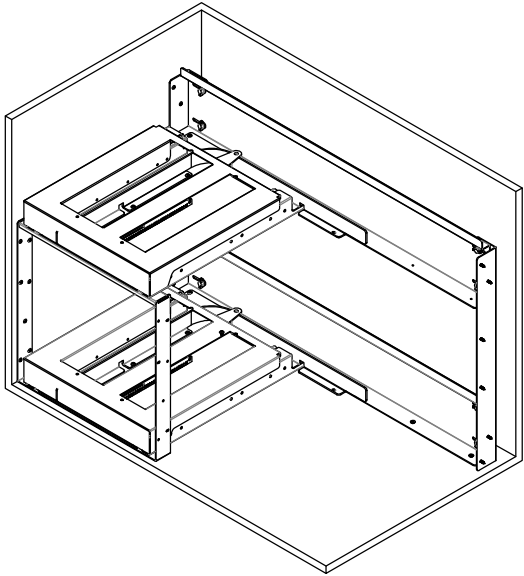


Max.10

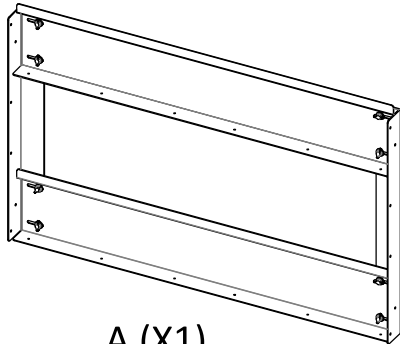
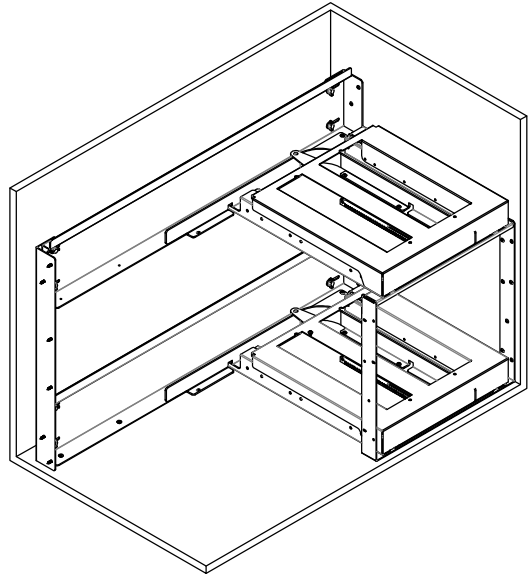
Corner Move

Part A
Frame Installation

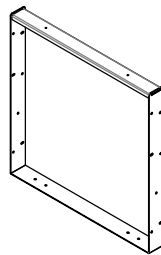
L



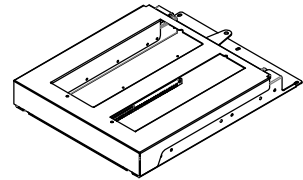
R



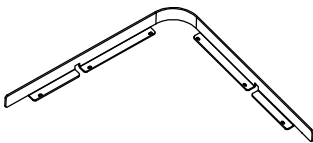
A (X1)



B (X1)



C (X2)



D (X2)



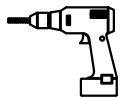
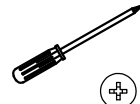
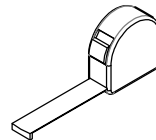
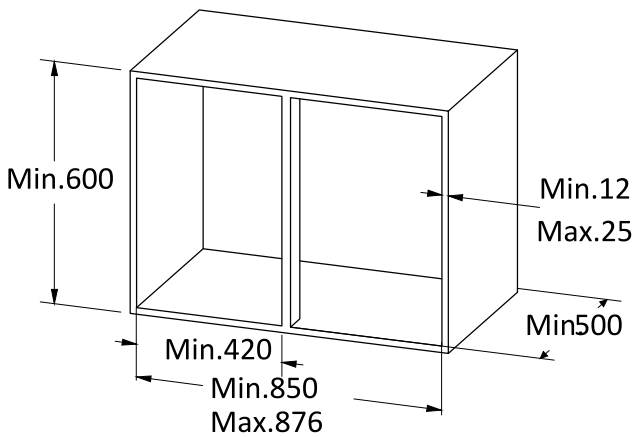
E (X15)
(M4x6)



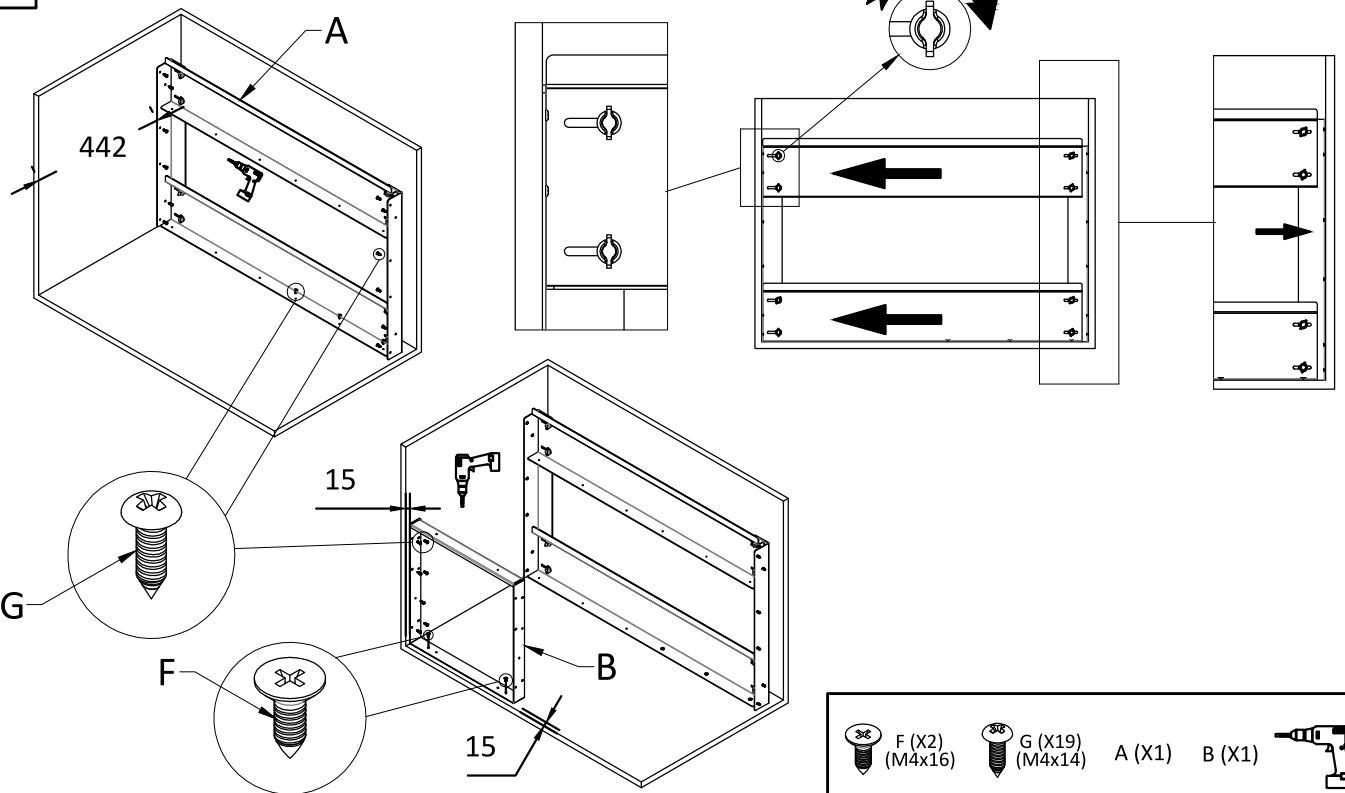
G (X21)
(M4x14)



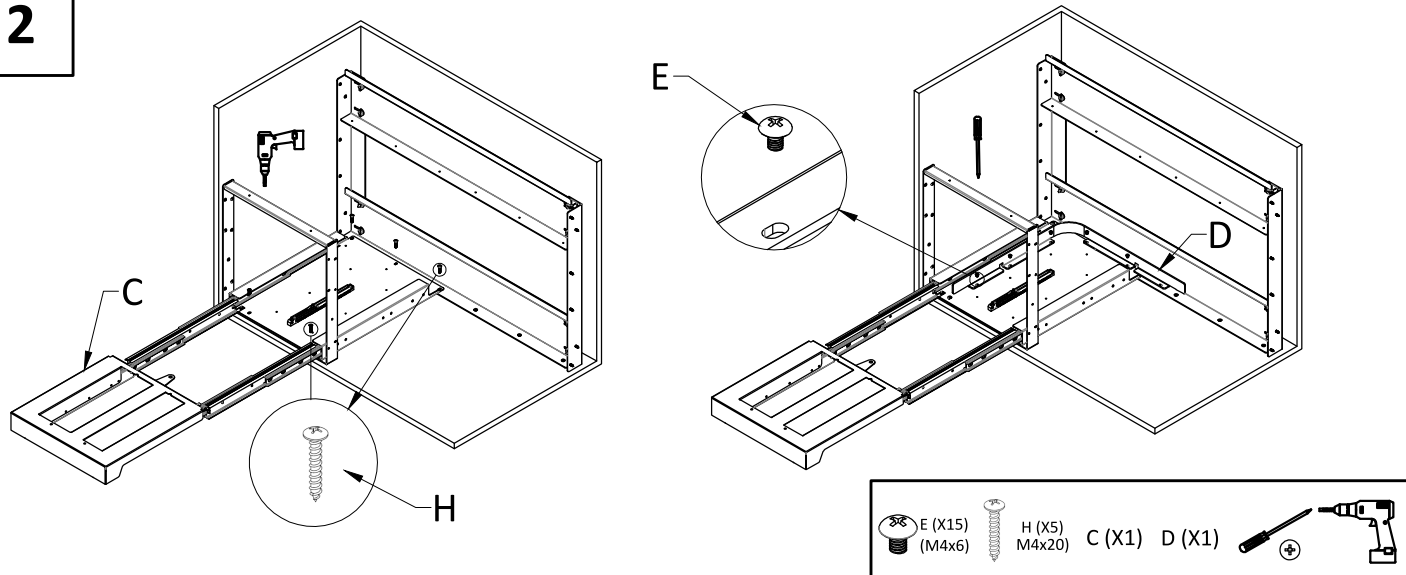
H (X5)
(M4x20)



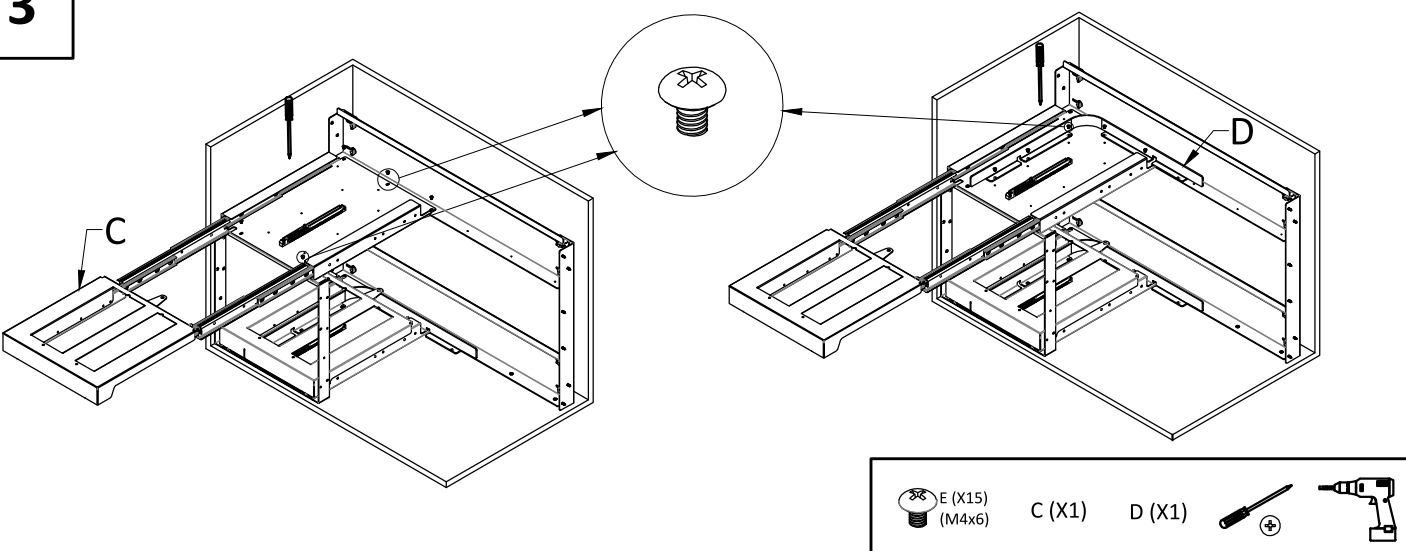
1

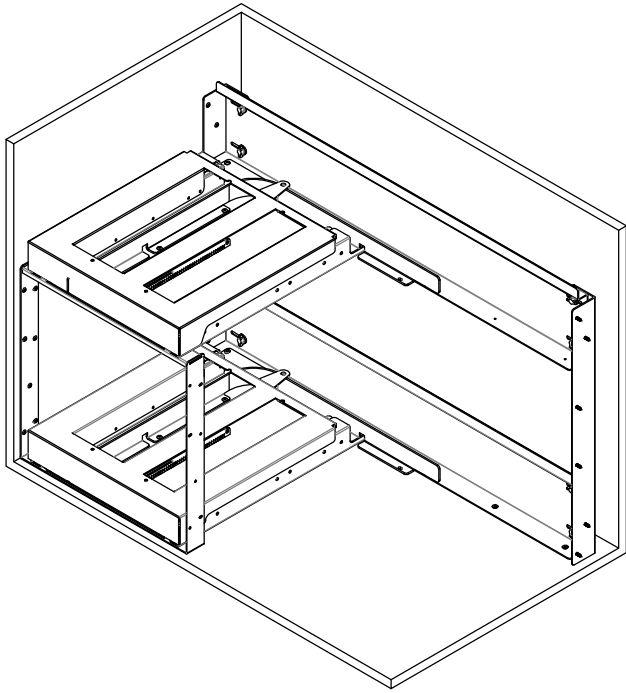


2

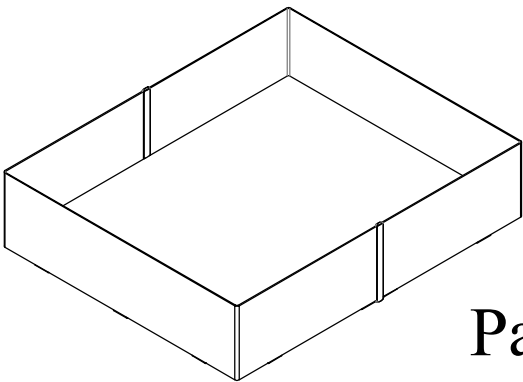


3

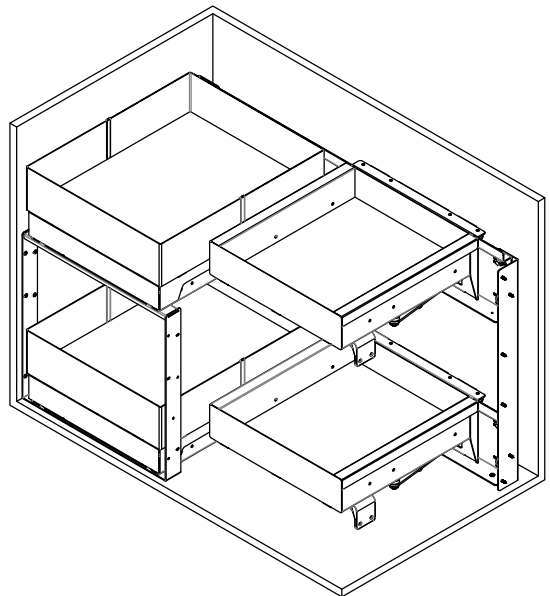
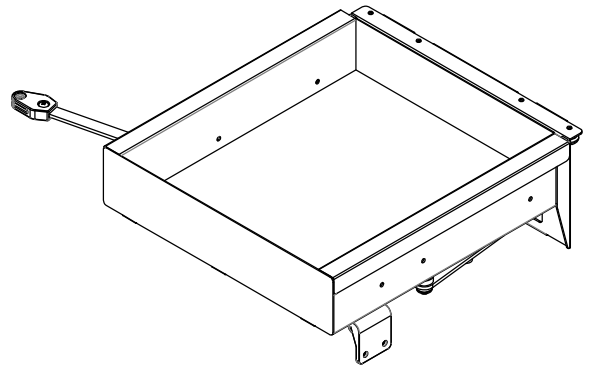




Part A



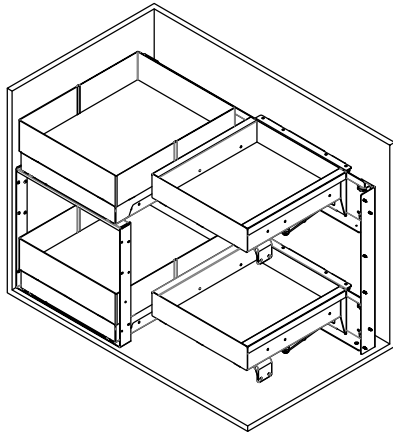
Part B



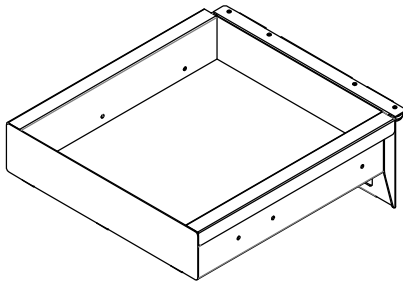
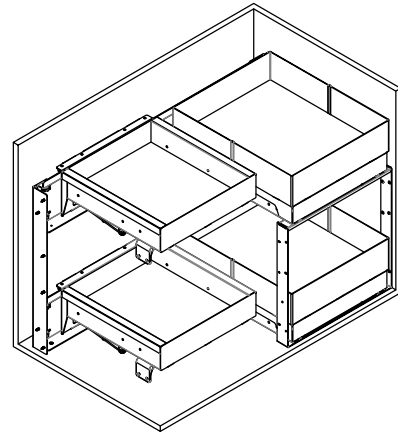
Corner Move

Part B
Baskets Installation

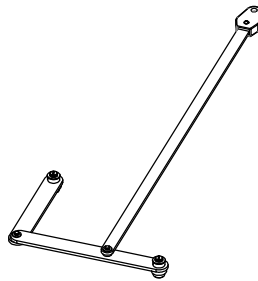
L



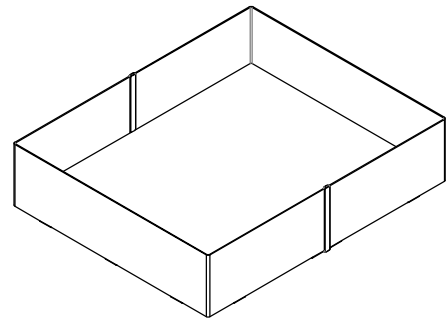
R



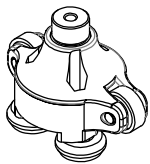
A (X2)



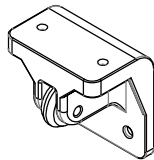
B (X2)



C (X2)



D (X2)



E (X2)



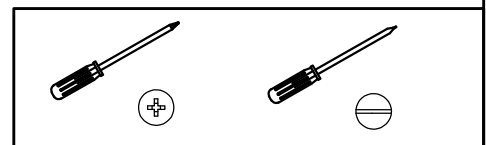
F (X2)



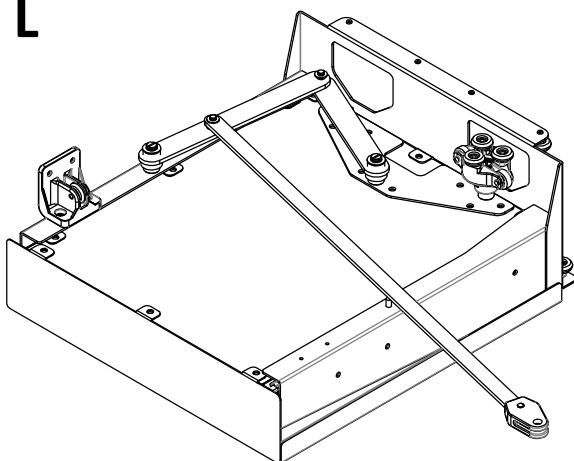
E (X4)



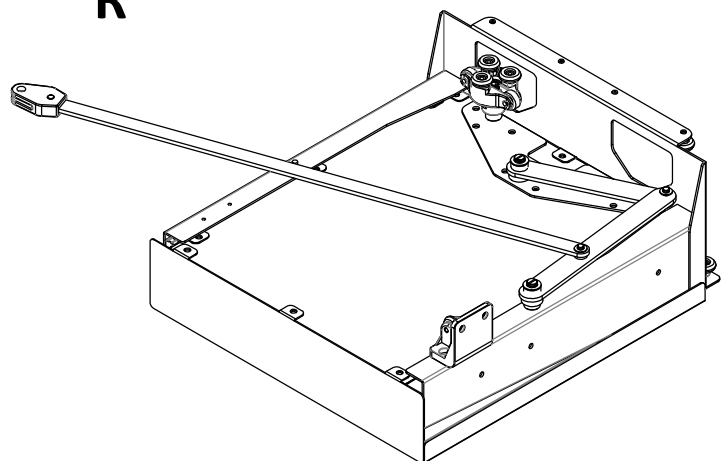
H (X4)
(M4x6)



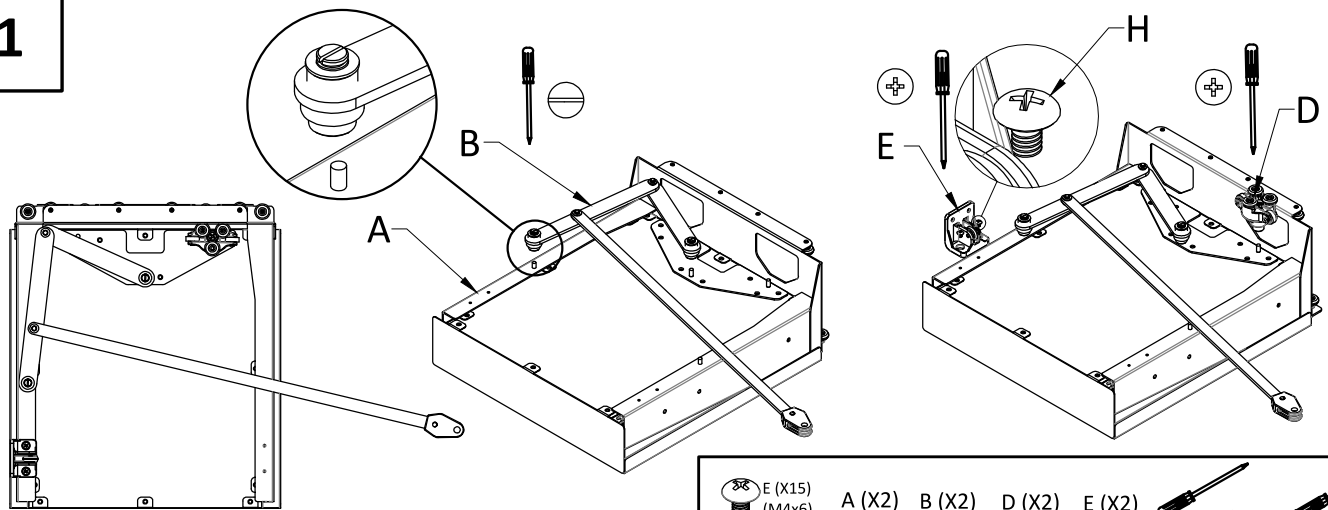
L






R

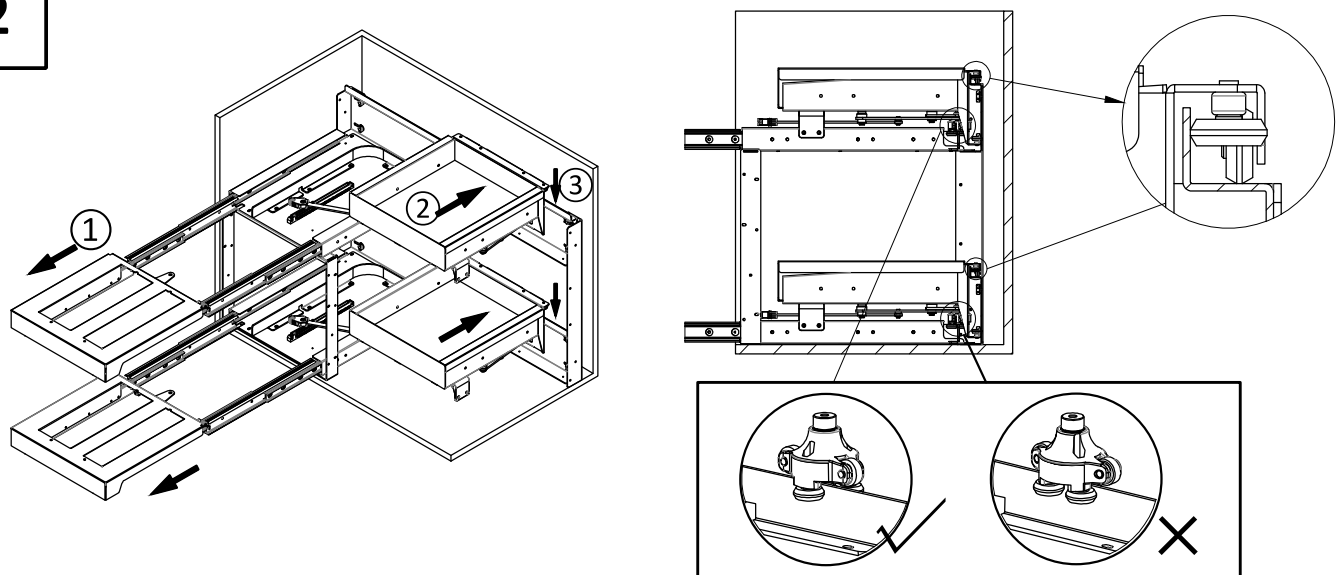


1

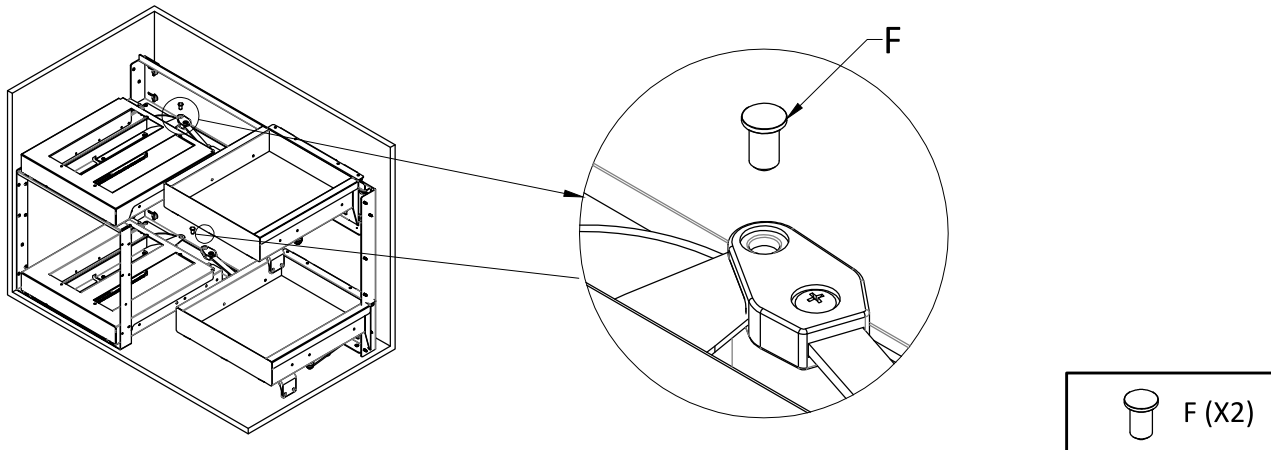



 E (X15) (M4x6) A (X2) B (X2) D (X2) E (X2)  

2



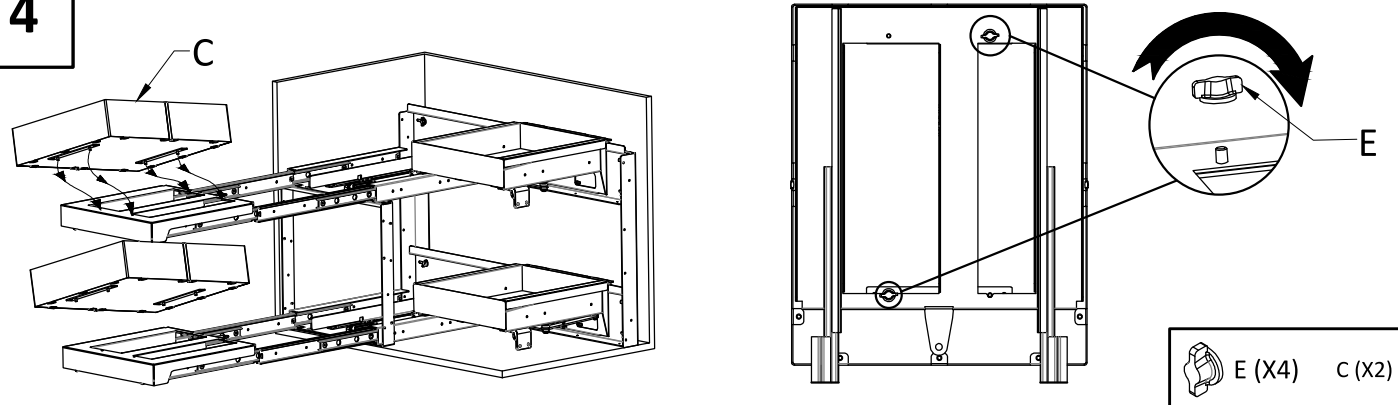
3




 F (X2)

Back Side of C (Screw Fix)

4



 E (X4) C (X2)